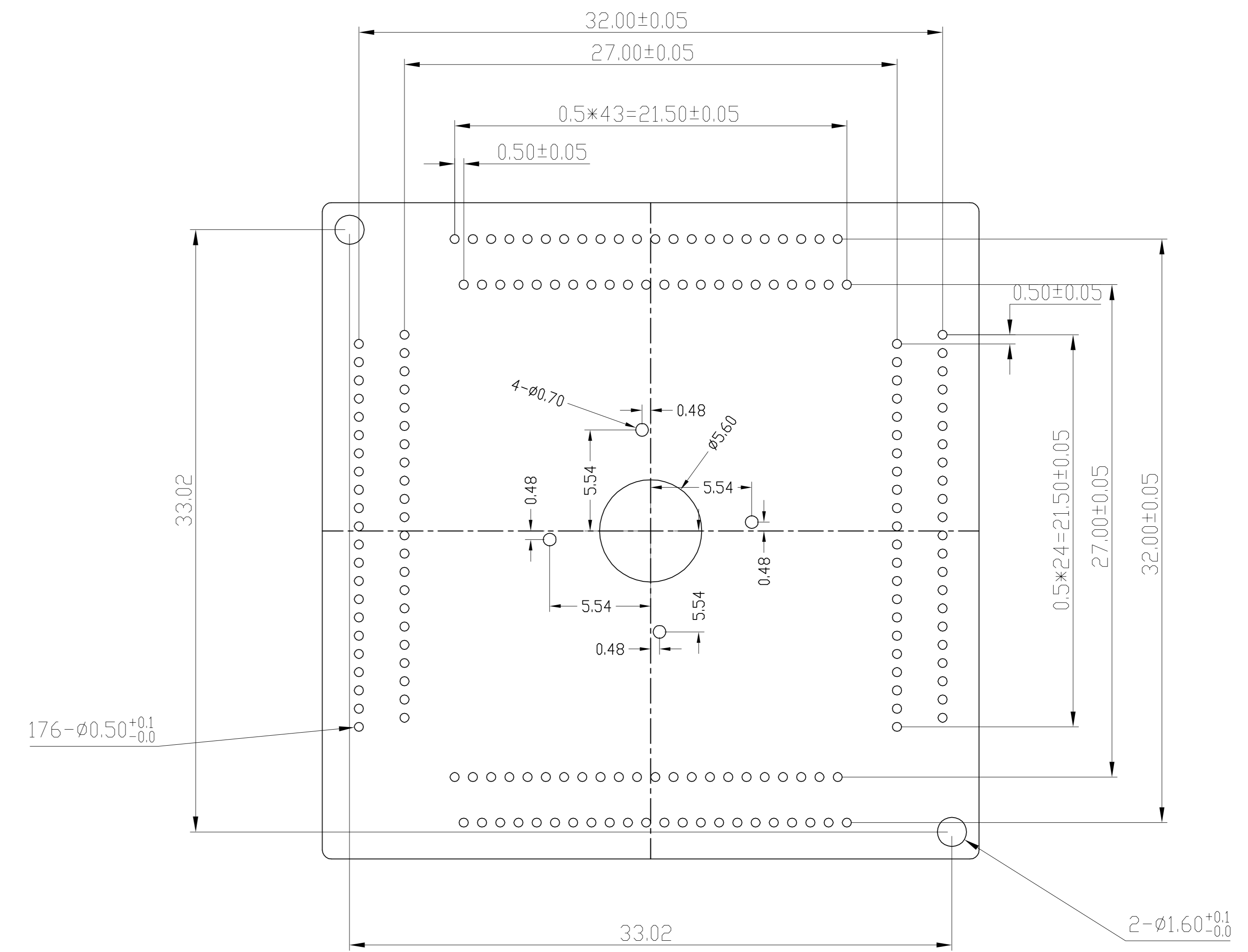


| REVISION | DESCRIPTION | CHECK | APP | DATE | REV. NOTICE. NO |
|----------|-------------|-------|-----|------|-----------------|
| 1 | | | | | |
| 2 | | | | | |
| 3 | | | | | |

PCB PATTERN (TOP VIEW)

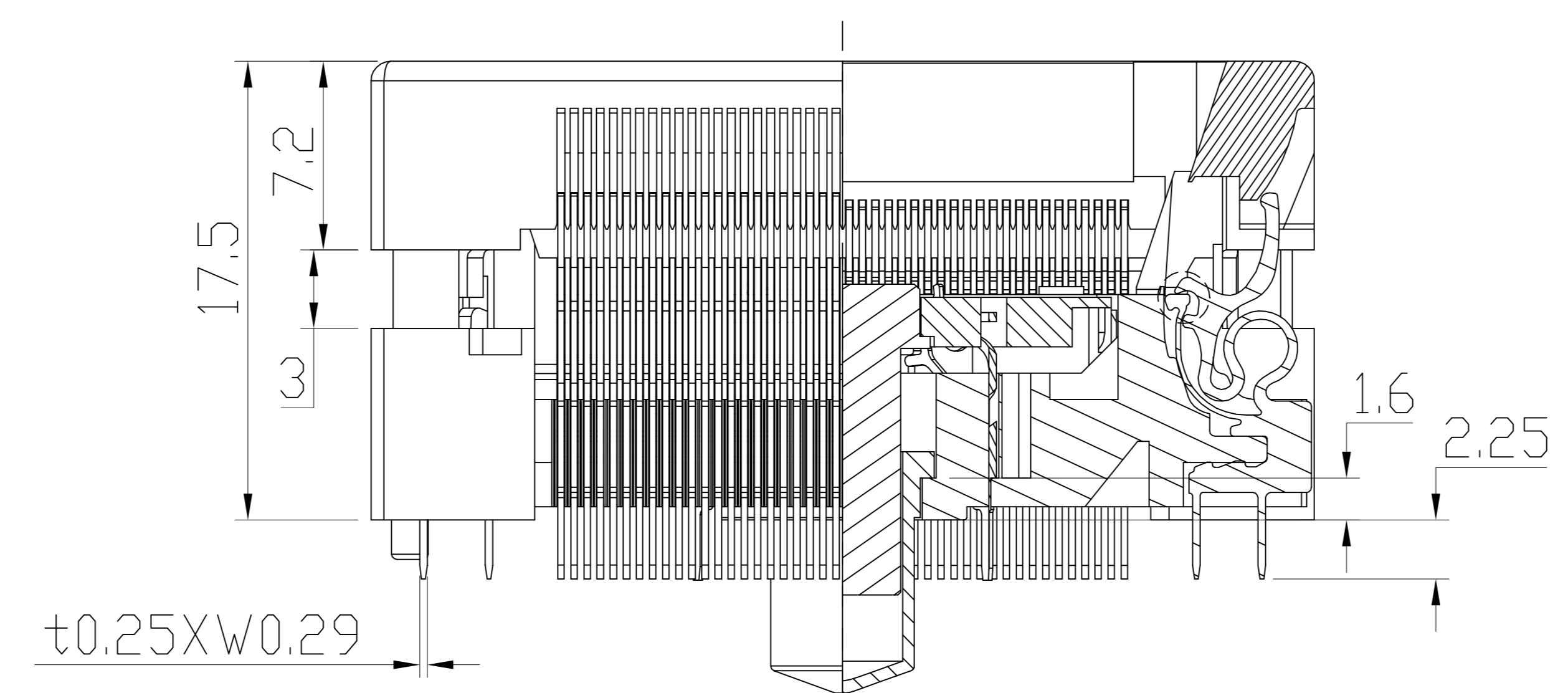
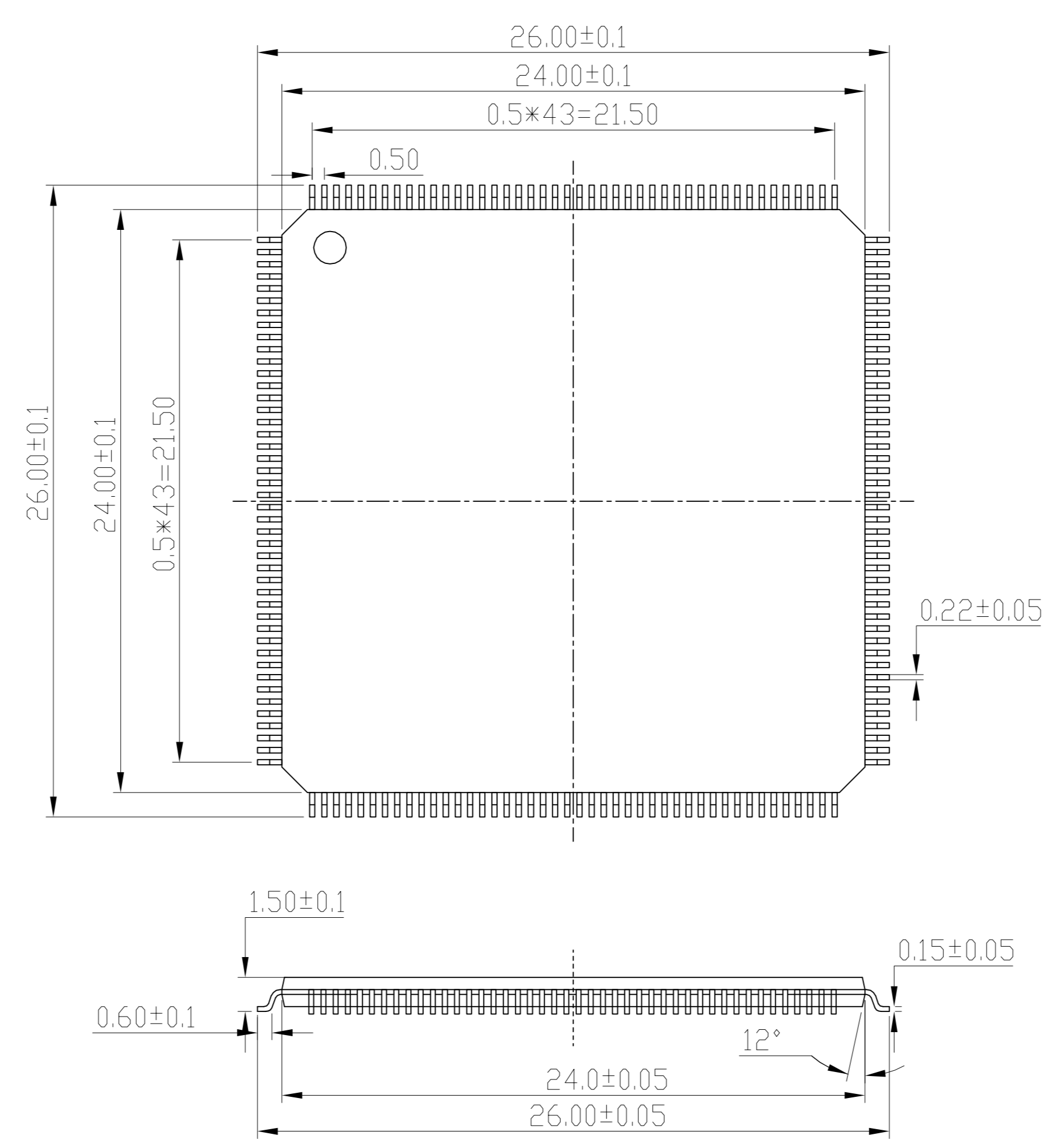


PERFORMANCE

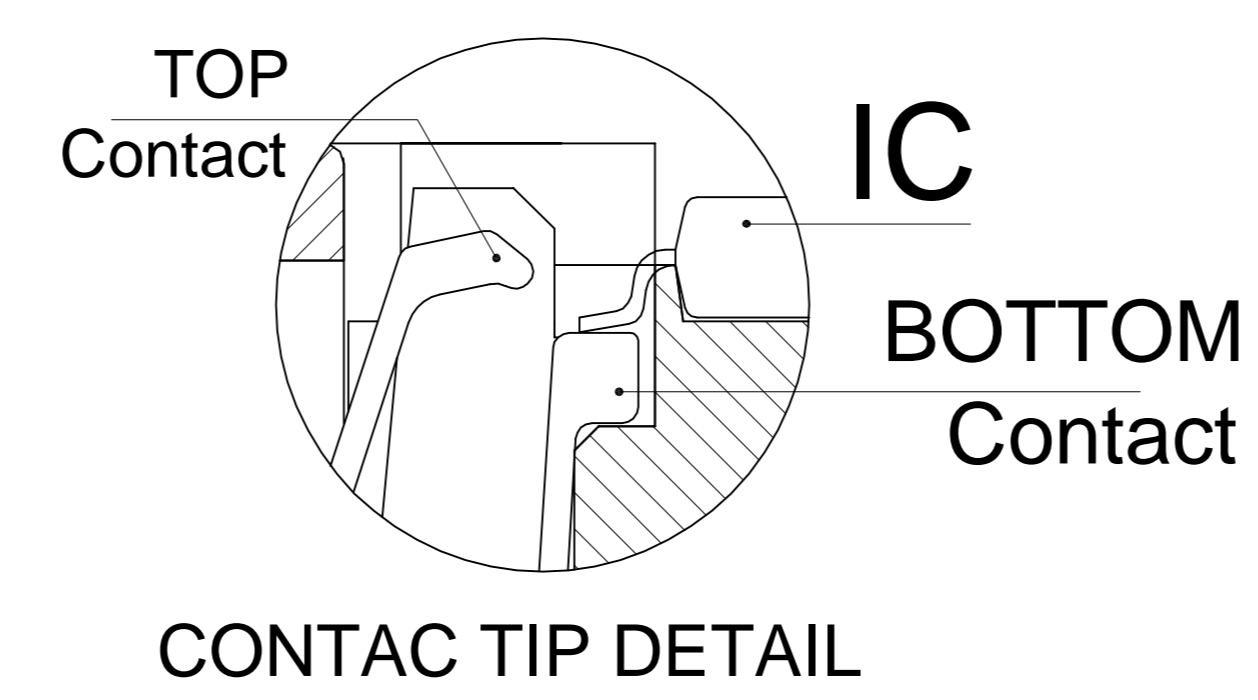
1. Insulation Resistance: 1000M Ω Min. At DC 500V
2. Dielectric Withstanding Voltage For 1 Minute At AC500V
3. Contact Resistance(Initial) 100m Ω MAX at 10mA
4. Rated Current: 1.0A.
5. Operation Temperature range -65°C ~+150°C
6. Insertion Min10000 cycle (Mechanical)
7. Material: Body:PAI,PES; Contact:BeCu,Au plating(Ni-base)

| | | | | | |
|------------|-------|--------------------|----------|---------|-------------------|
| PROJECTION | | GENERAL TOLERANCES | ±0.10 | TITLE | QFP176-0.5 SOCKET |
| | | REV | A | CLASS | QFP176-0.5-TP01GT |
| DIMENSION: | mm | SCALE: | 1:1 | DRW. NO | 01 |
| APP: | | DATE: | | | |
| CHECK: | | DATE: | | | |
| DEGK: | ENG03 | DATE: | 20150605 | | |

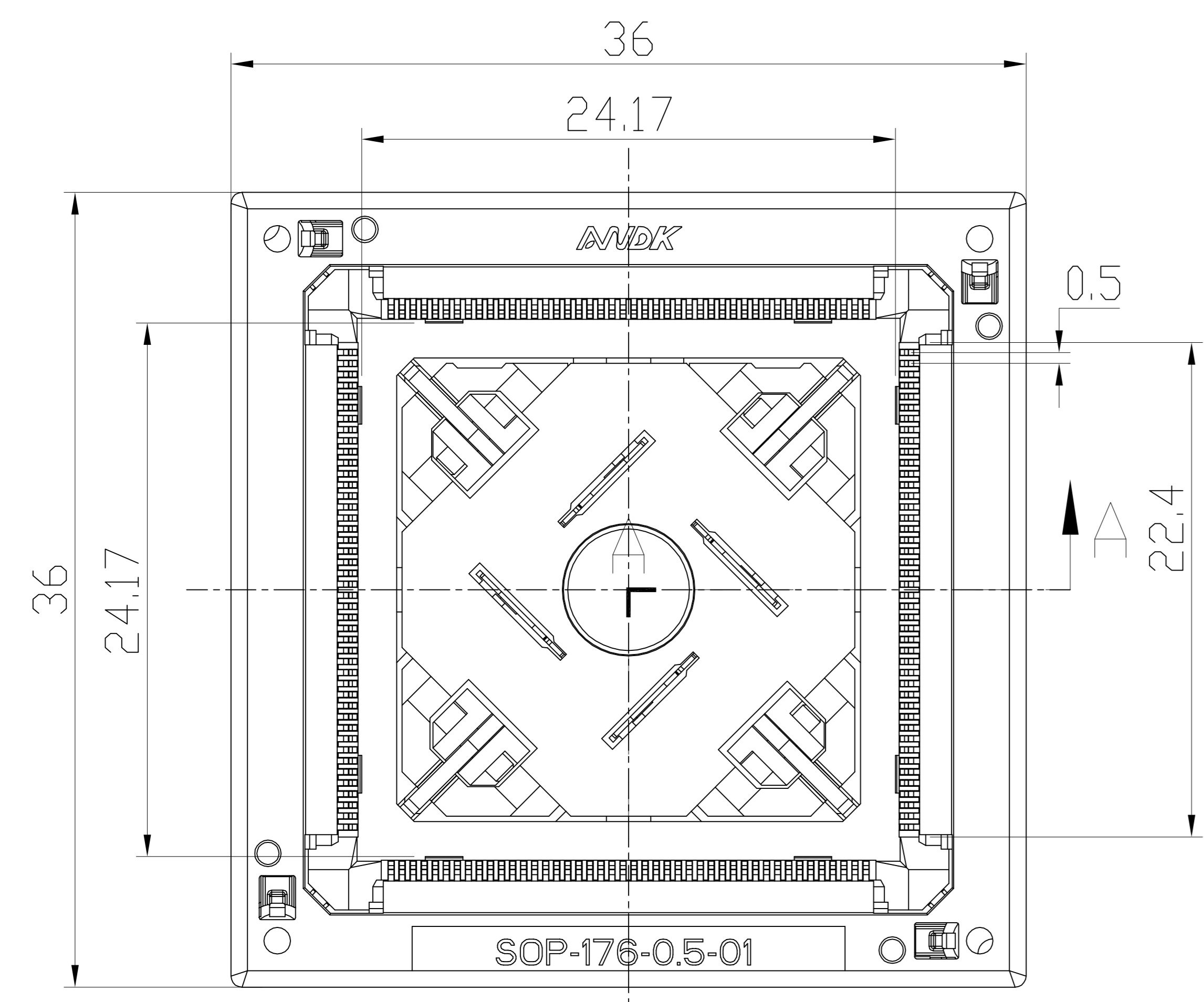
APPLICABLE IC



SECTION A-A



| No | Part Number | Name | Material | Q/ty | Note |
|----|-----------------|----------------|----------|------|------------|
| 6 | QFP176-0.5-XCR | COVER | PEI/PES | 1 | BLACK |
| 5 | 30-C-4515X | LINK MECHANISM | SUS | 4 | FOR COVER |
| 4 | QFP176-0.5-XBY | BODY | PEI/PES | 1 | BLACK |
| 3 | QFP176-0.5-XCTB | CONTACT | BeCu | 88 | FOR COVER |
| 2 | QFP144-0.5-XCTA | CONTACT | BeCu | 88 | BLACK |
| 1 | QFP176-0.5-XCTJ | GROUND PROBE | BeCu | 1 | Au PLATING |



Insertion

