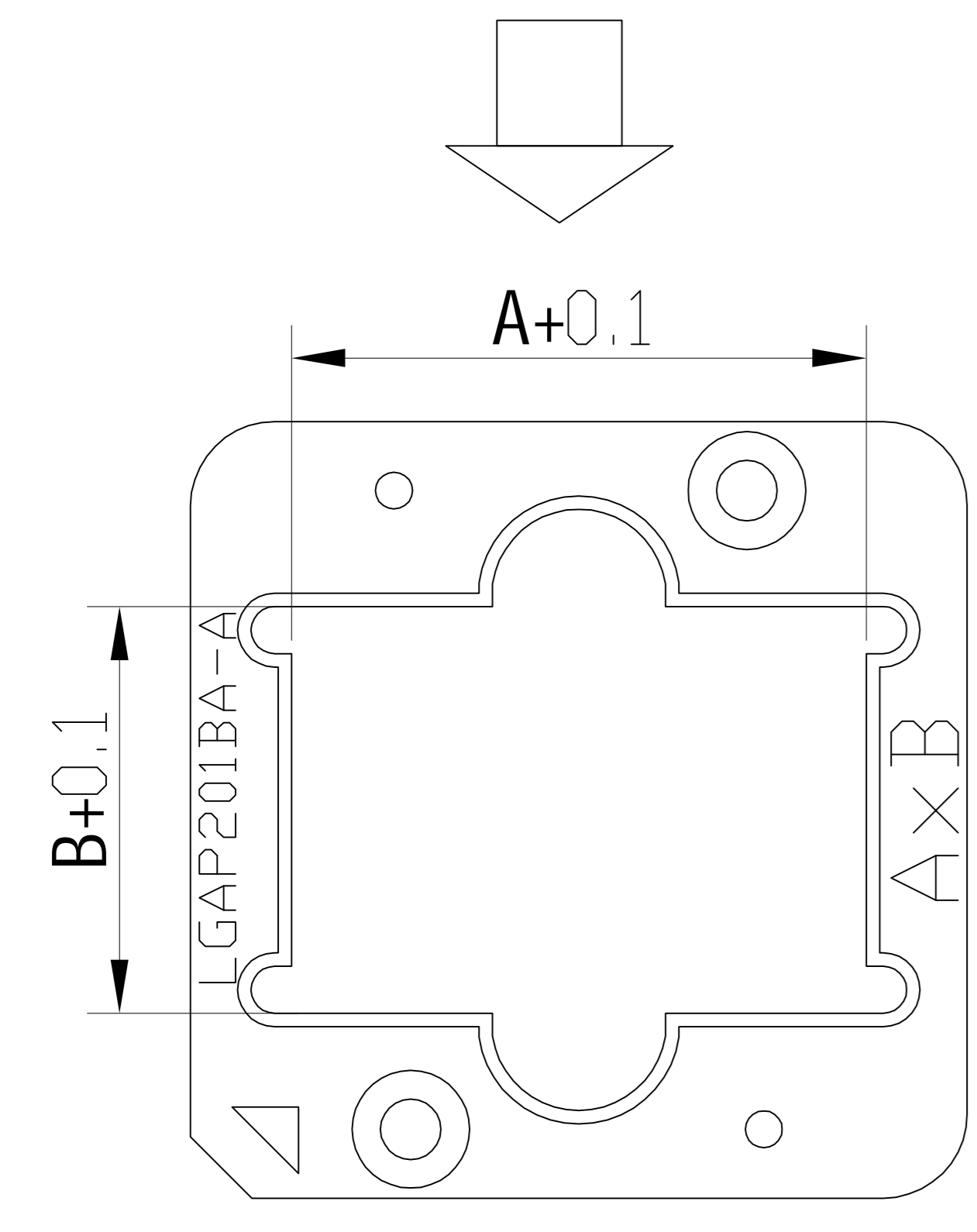
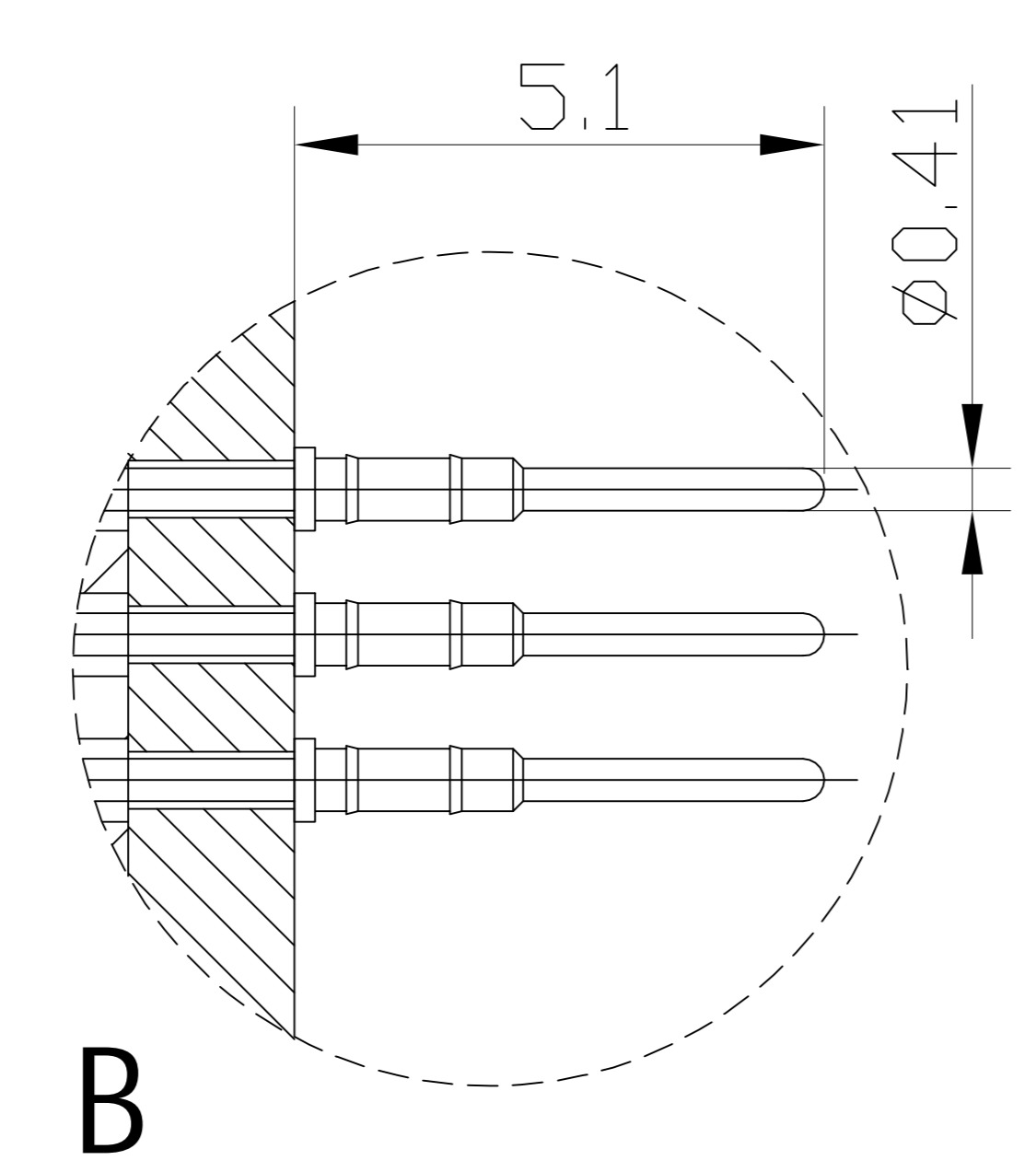


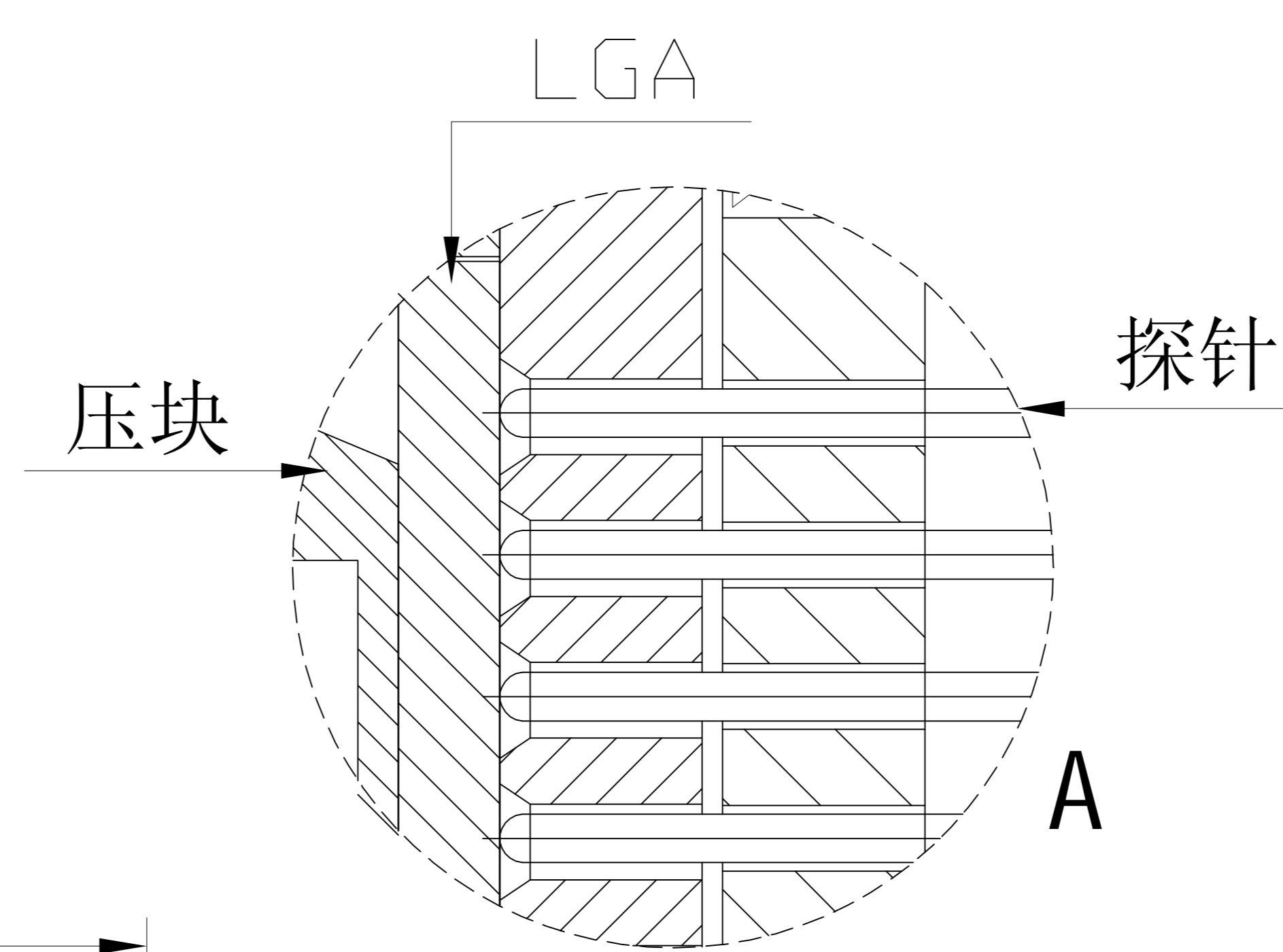
TOP VIEW(without Lid)



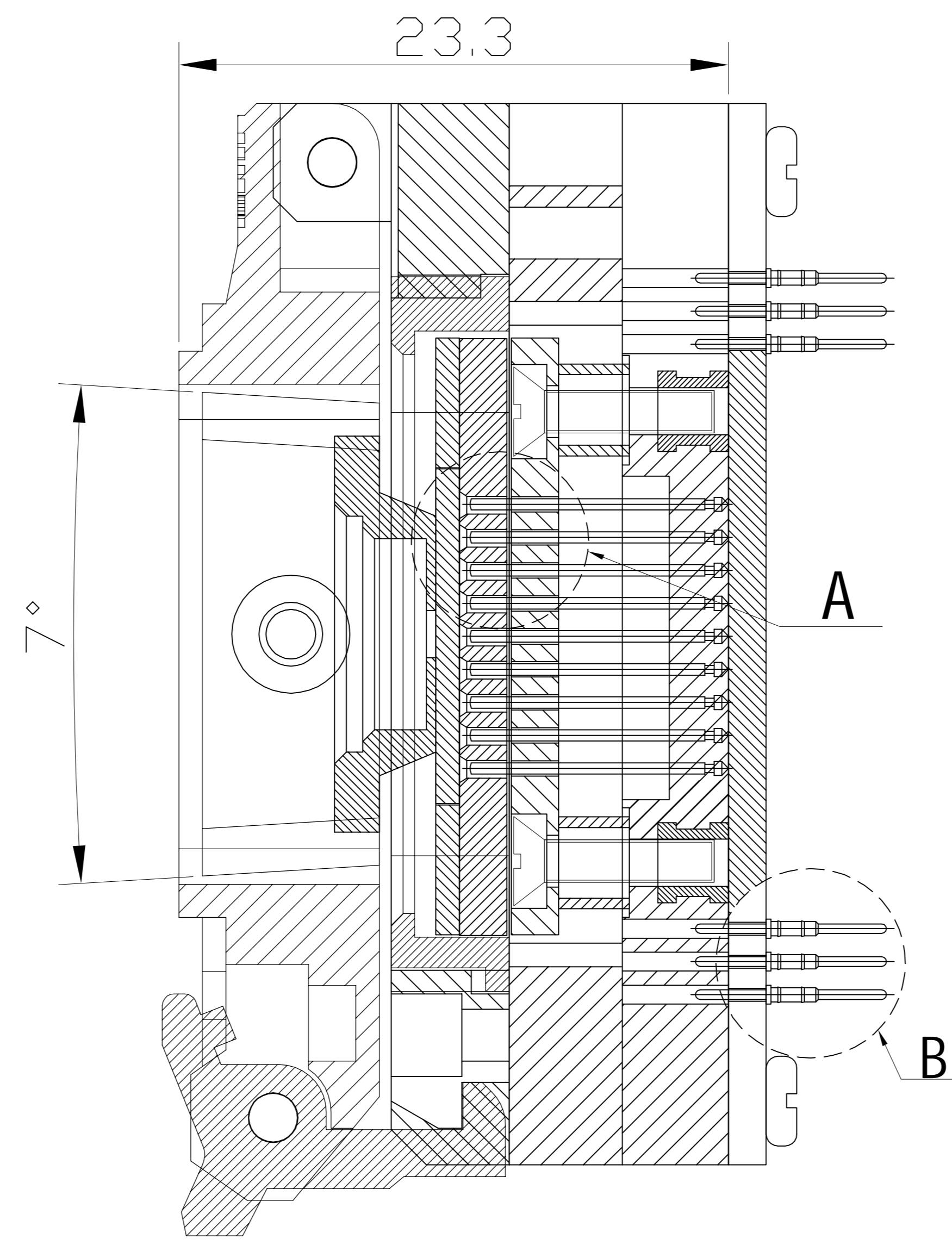
限位框可更换
测试不同大小的LGA



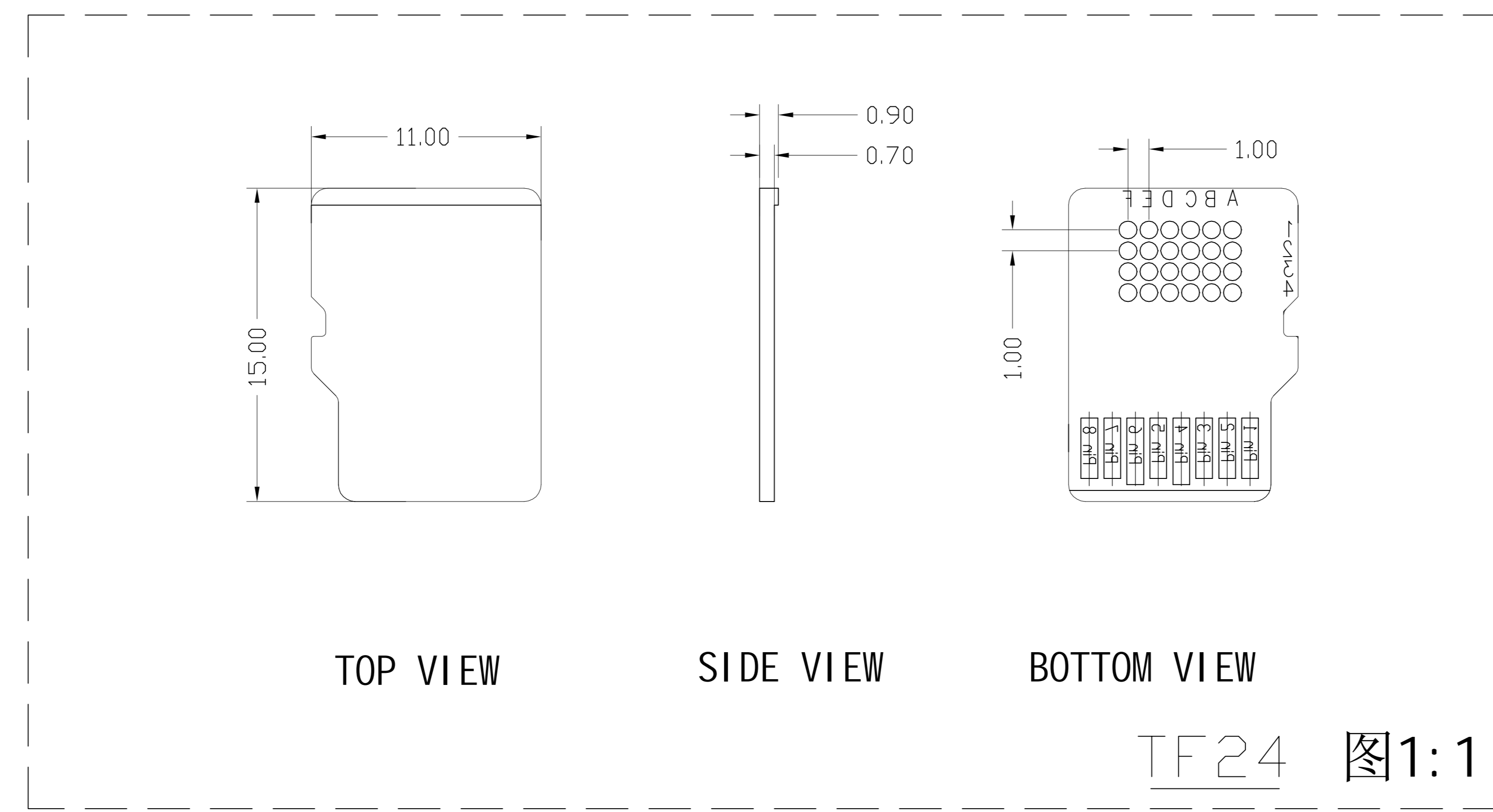
B



A



SIDE VIEW



TOP VIEW

SIDE VIEW

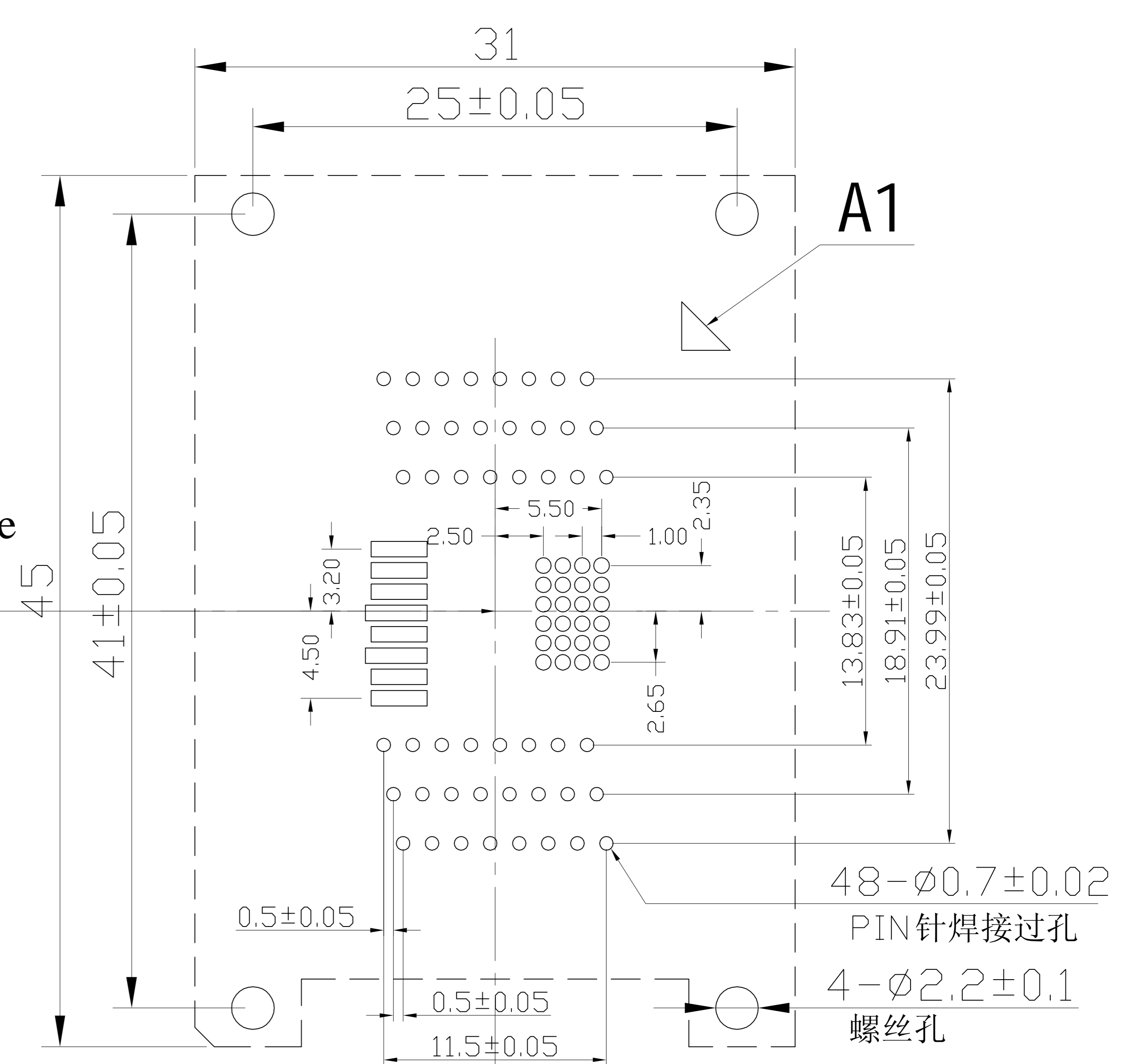
BOTTOM VIEW

TF24 图1:1

变更标记	变更内容 REVISION DESCRIPTION	审核 CHECK	审批 APP	日期 DATE	变更版本号 REV. NOTICE. NO
△1					
△2					
△3					

PERFORMANCE

- 1、Socket Body: PEI/PES or Alloy Equivalent
- 2、Contact Beryllium Copper Alloy
- 3、Contact Plating Goldover Nickel
- 4、Contact Normal Force:12-15 grams Per Pin tpical
- 5、Contact Resistance:50Ω-25Ω typical
- 6、Temperature Rating Burn in:-50°C ~+125°C
- 7、Higher Temperatures cnsult factory
- 8、Life Span 60,000 Times(Mechanical)
- 9、Field replaceable package location plate



PCB PATTERN (Top View)

TF24 and Socket have the same center

投影 PROJECTION		图纸编号(DRW. NO) 版本号(REV.)	KZT-PE-0000-01 A	名称(TITLE)	TF CLAMSHELL SOCKET
单位(DIMENSION): MM		比例(SCALE):	1:1	类别(CLASS)	TFSOCKET
审批(APP):		日期 DATE):		图号(DRW. NO)	P2002-524E-1201
审核(CHECK):		日期 DATE):		 Kai Zhi Tong Micro Electronic L., Ltd http://www.icsocket.net www.kzt.cc	
设计(DEGK): ENG04		日期 DATE):	20120321		