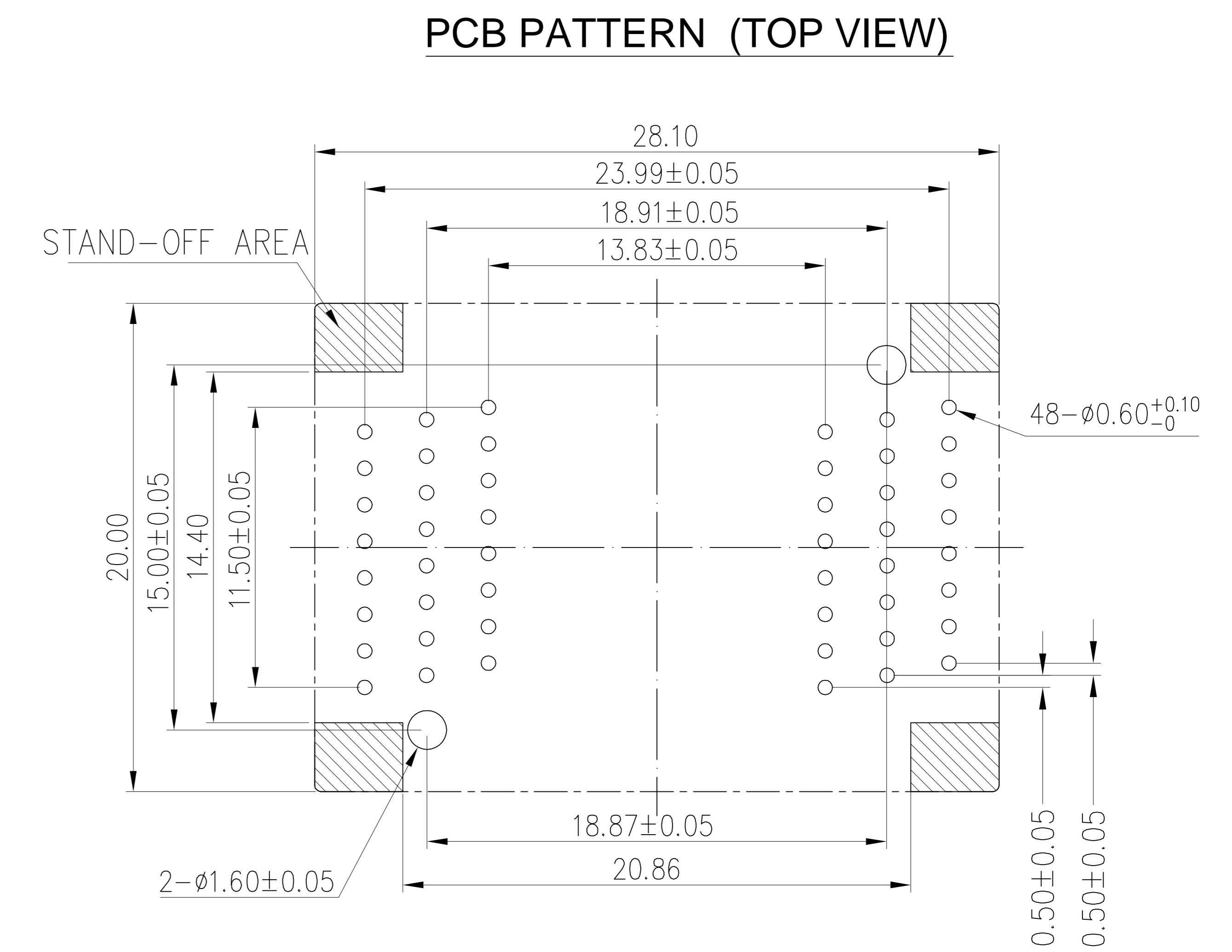
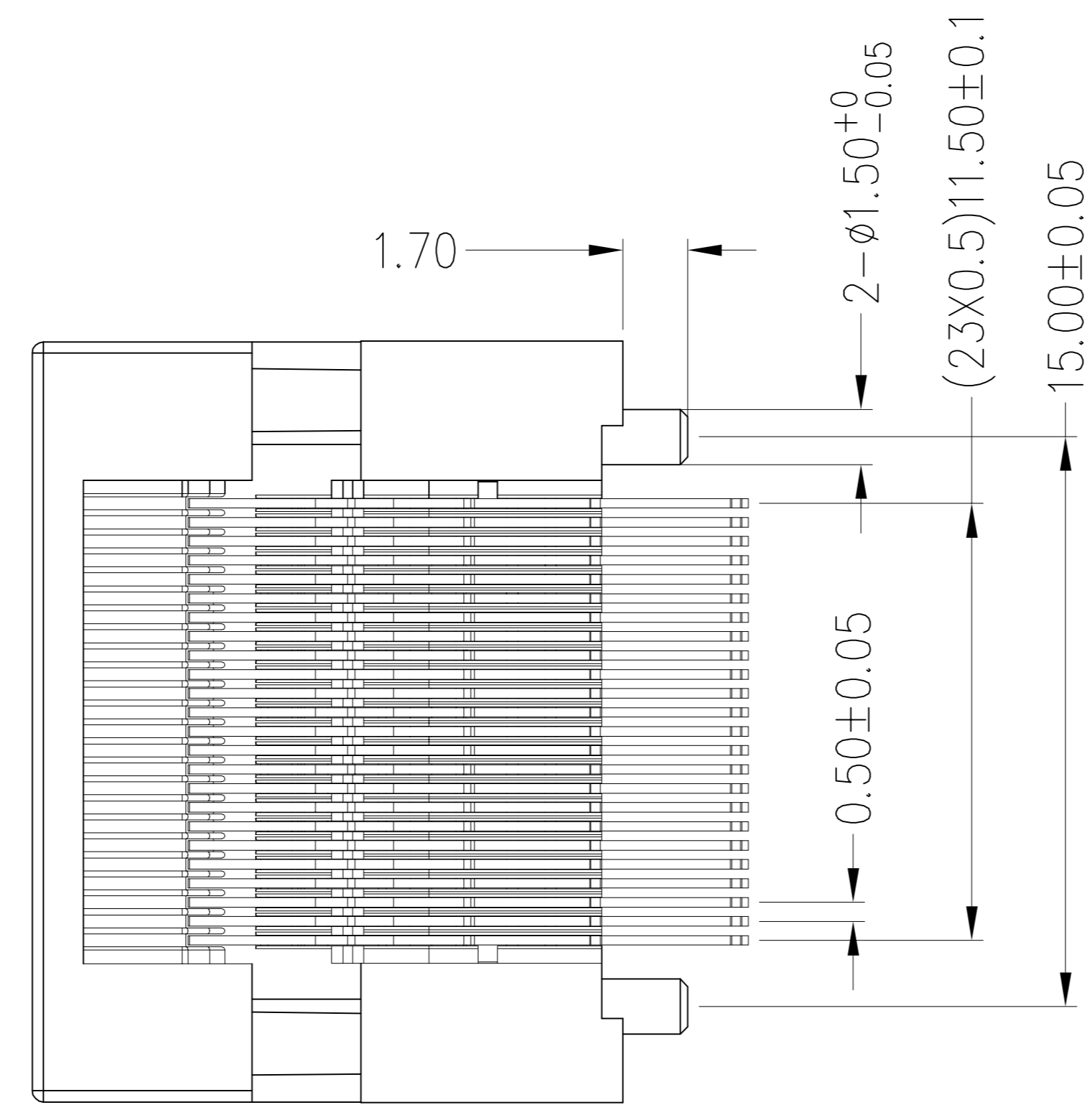
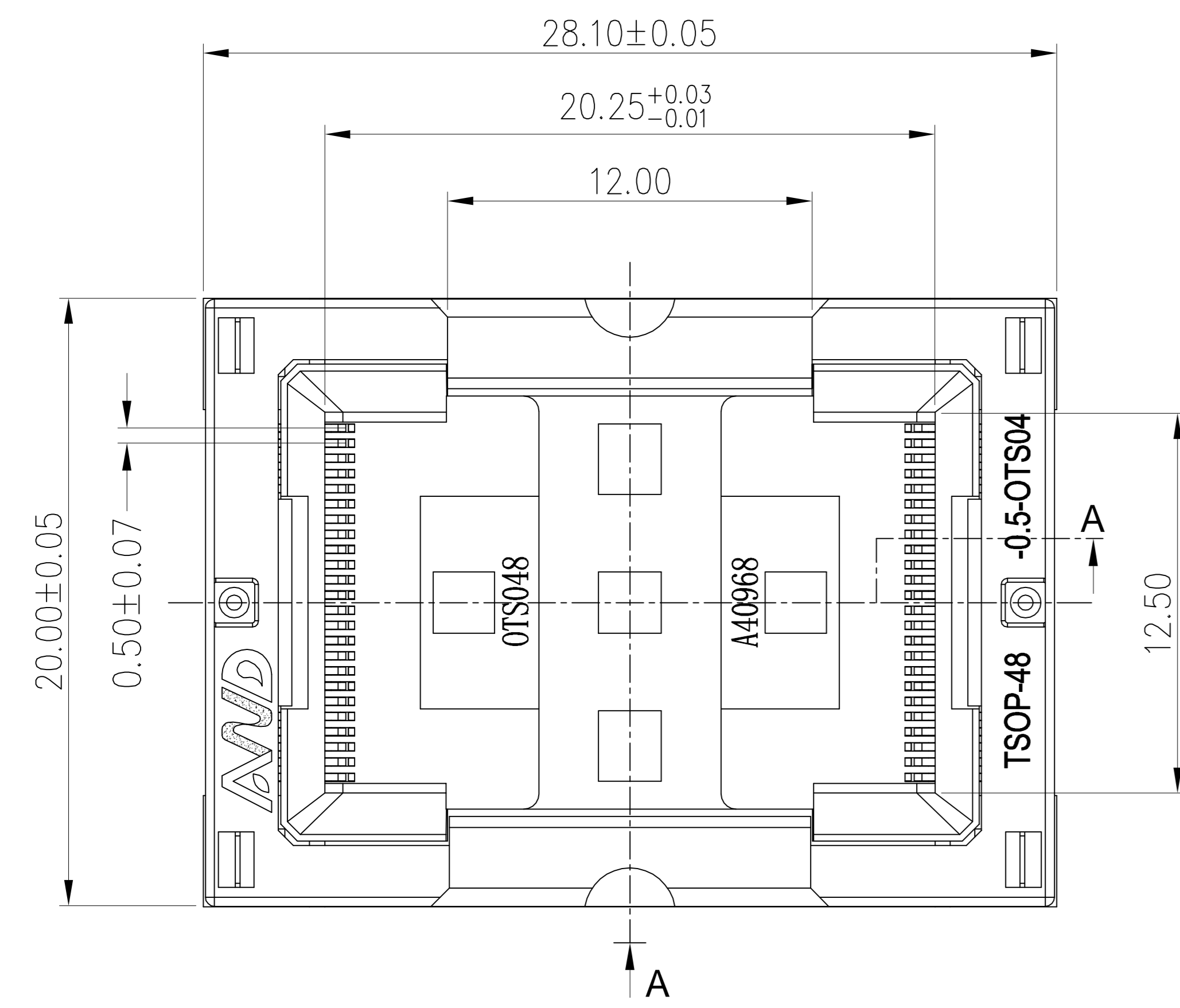
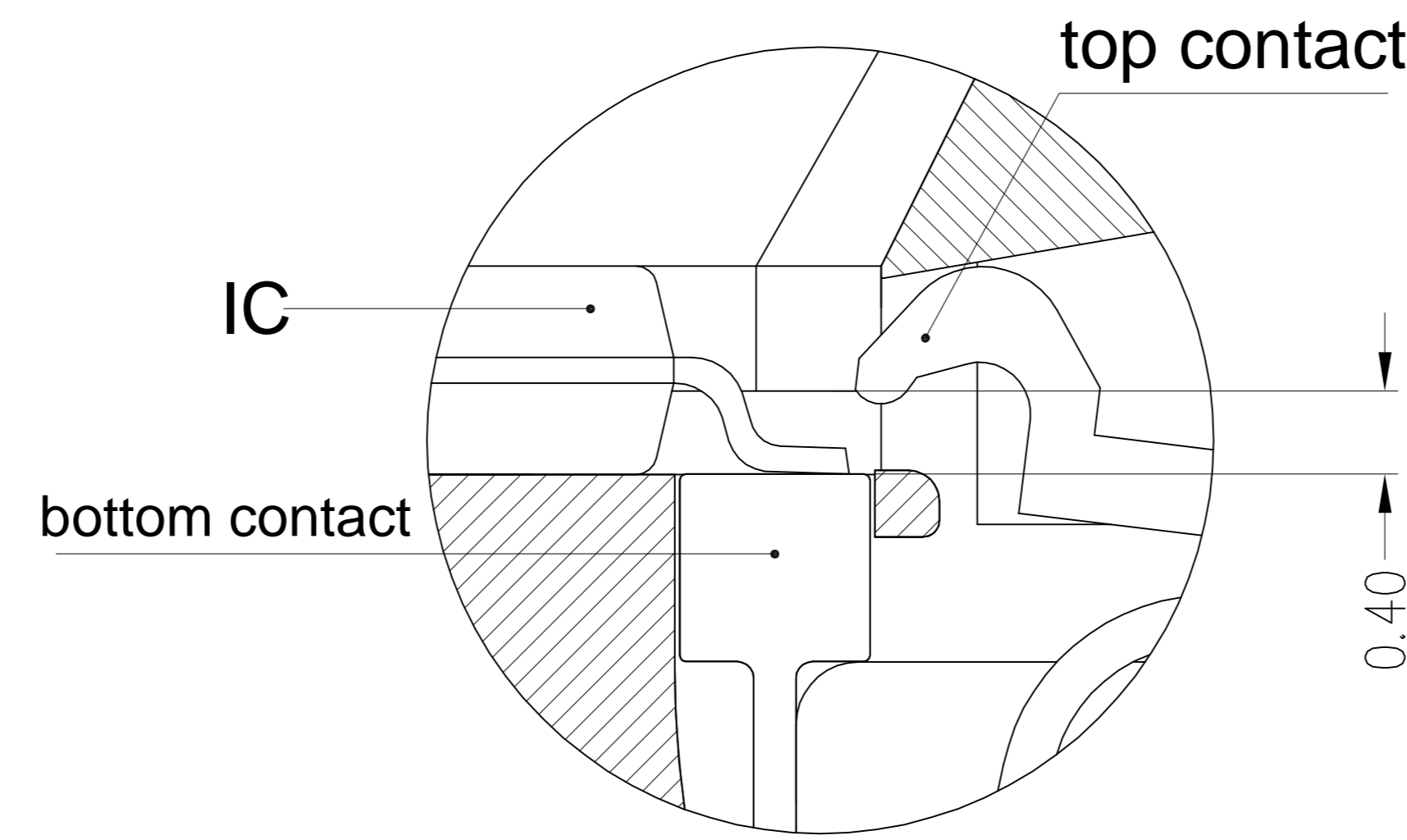


REVISION	DESCRIPTION	CHECK	APP	DATE	REV. NOTICE. NO
1					
2					
3					



Insertion

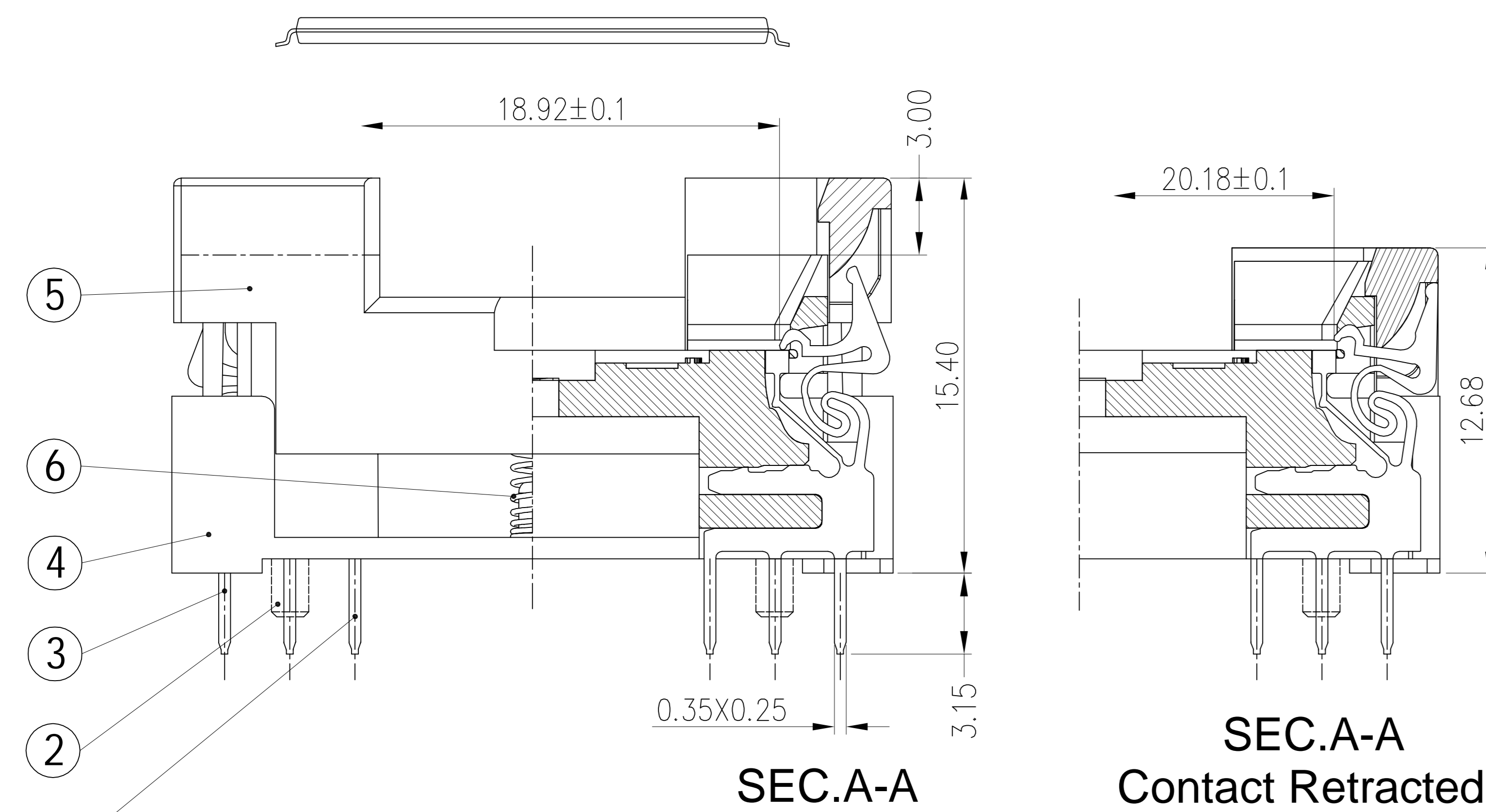


CONTACT TIP DETAIL

Two shrapnels clamp the pins of the chip

PERFORMANCE

- 1、Insulation Resistance: 1000mΩ Min.At DC 500V
- 2、Dielectric Withstanding Voltage For 1 Minute At AC 700V
- 3、Contact Resistance 30mΩ MAX. at 10mA and 20mV MAX.(Initial)
- 4、Operation Temperature -65°C ~+155°C
- 5、Contact Force 18g Per Pin (Normal)
- 6、Life Span 15,000 Times (Mechanical)
- 7、Operation Force 1.1 Kg MAX

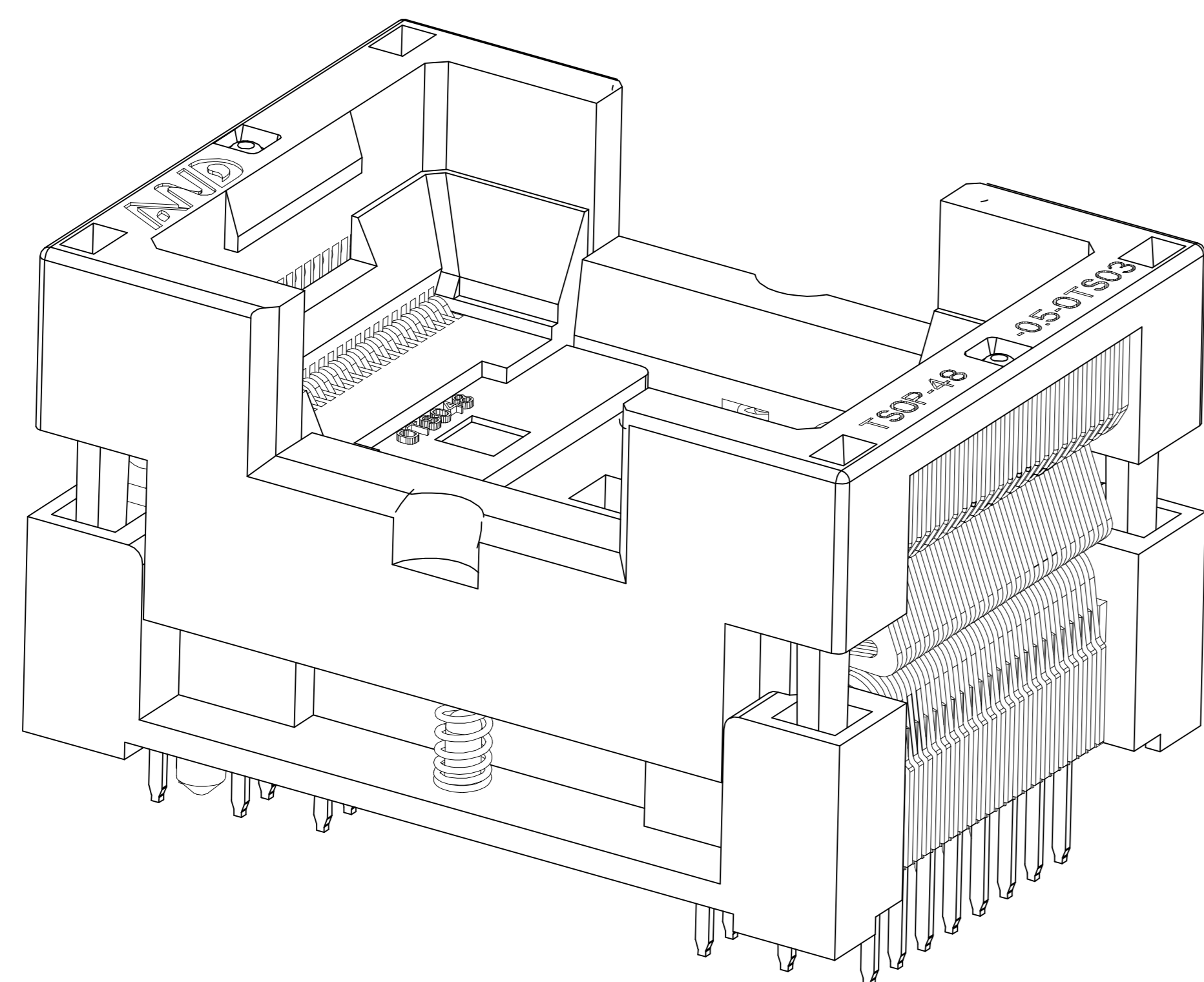
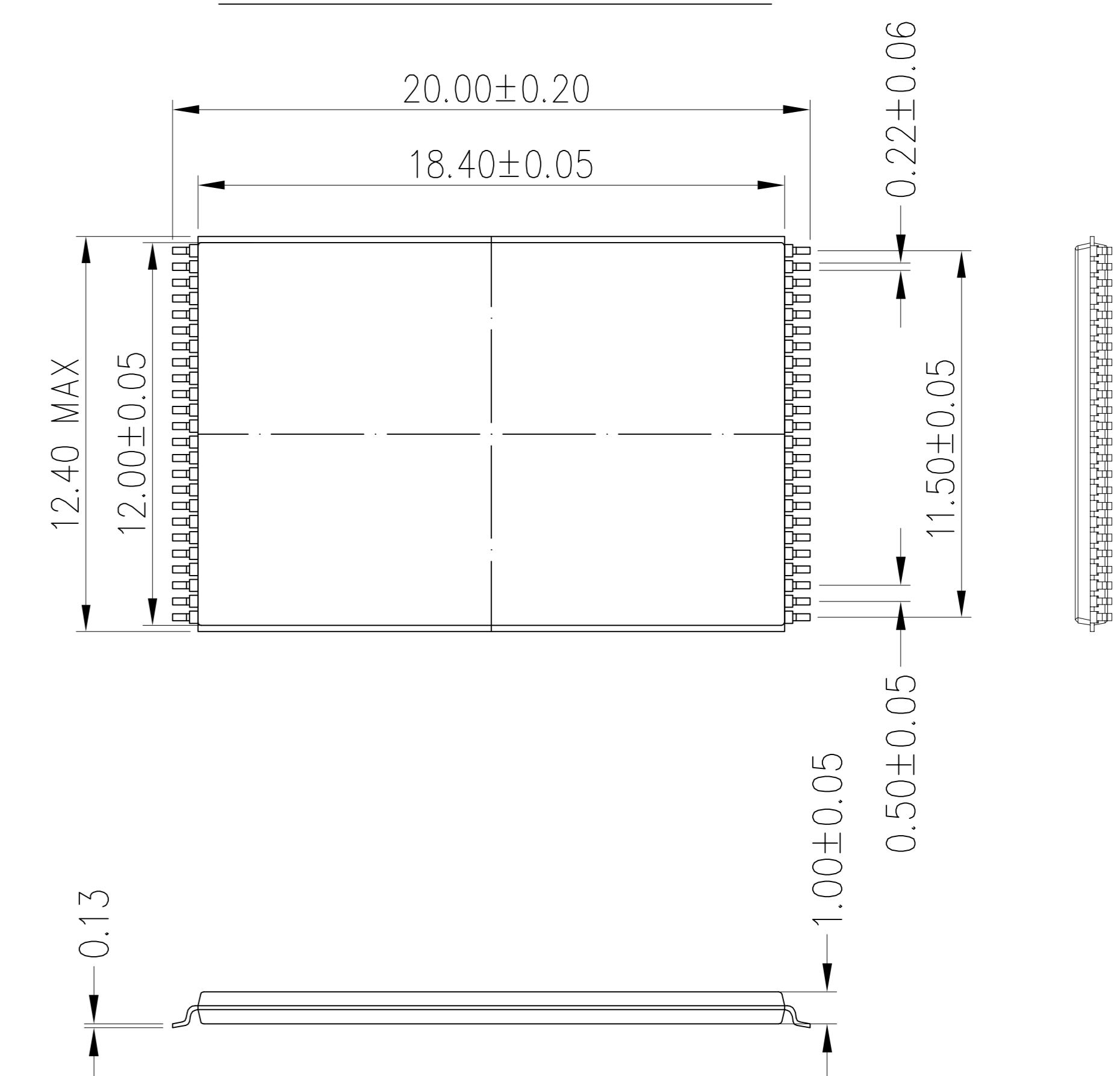


SEC.A-A

SEC.A-A Contact Retracted

CONTACT LEAD W 0.35Xt 0.25

APPLICABLE IC



6	30-B-4505B	SPRING	SUS	2	FOR COVER
5	210-048-B105D	COVER	PEI	1	BLACK
4	210-048-A105D	BASE	PEI	1	BLACK
3	1013-03LA	CONTACT	BeCu	16	Au PLATING
2	1013-02LA	CONTACT	BeCu	16	Au PLATING
1	1013-01LA	CONTACT	BeCu	16	Au PLATING
No	Part Number	Name	Material	Q/ty	Note

PROJECTION		GENERAL TOLERANCES	±0.10	TITLE	TSOP48-0.5 SOCKET
DIMENSION:	mm	R E V	D	CLASS	TSOP-48-0.5-OTS04
APP:		SCALE:	1:1	DRW. NO	
CHECK:		DATE:			
DEGK:		DATE:	20111206		

