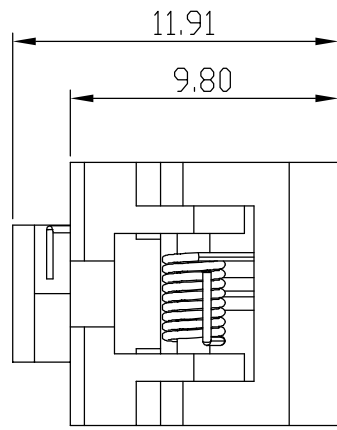
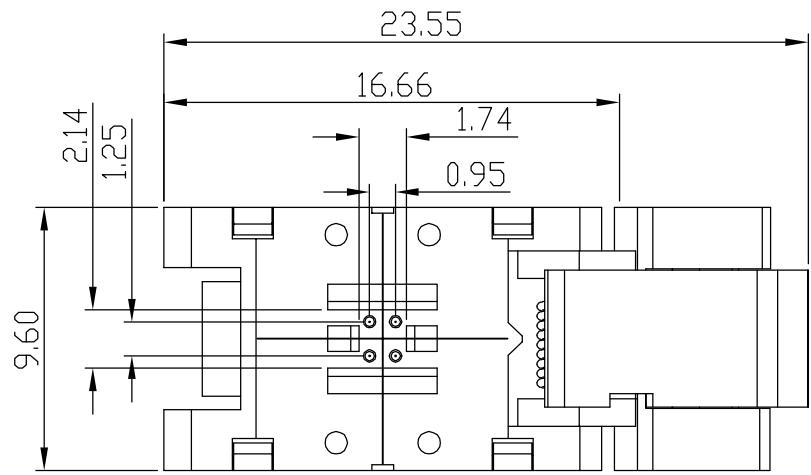
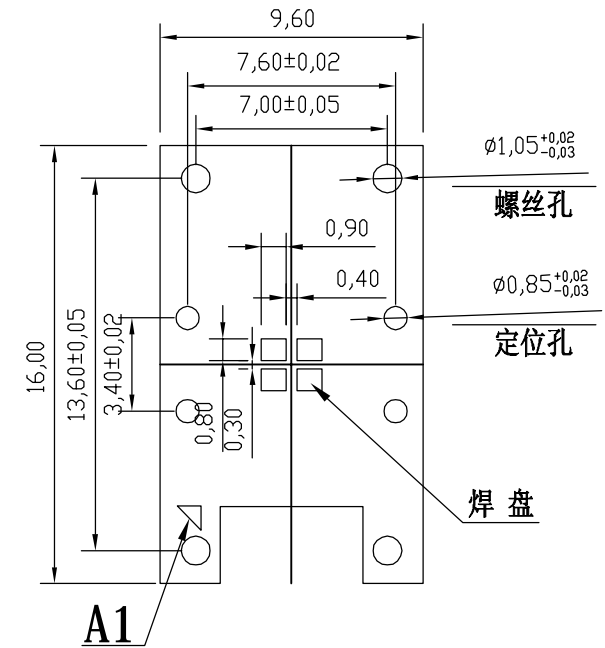


REVISION	DESCRIPTION	CHECK	APP	DATE	REV. NOTICE. NO
△1					
△2					
△3					

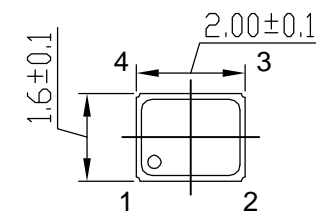
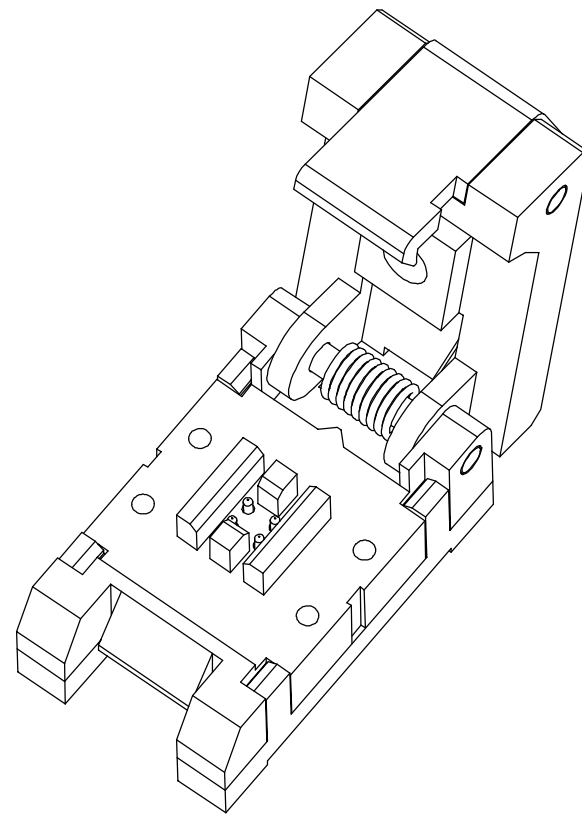
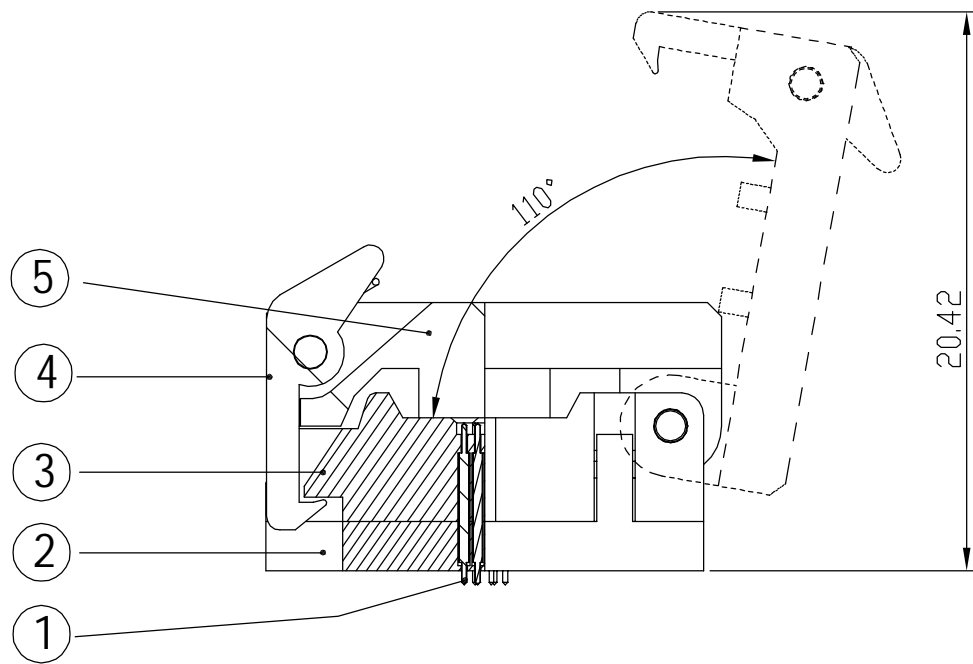


PCB Pattern(TOP View)

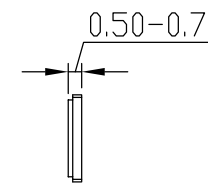


A1

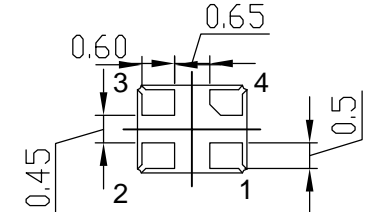
Applicable IC 2:1



TOP VIEW



SIDE VIEW



BOTTOM VIEW

PERFORMANCE

1. Insulation Resistance: 1000MΩ Min. At DC 500V
2. Dielectric Withstanding Voltage For 1 Minute At AC 700V
3. Contact Resistance 30mΩ MAX. at 10mA and 20mV MAX.(Initial)
4. Current Rating: 1A max.
5. Operation Temperature -40°C ~+155°C
6. Life Span 15,000 Times (Mechanical)

5	JZ01-04	COVER	PEI	1	BLACK
4	JZ01-03	LATCH	PEI	1	BLACK
3	JZ01-02	BASE	PEI	1	BLACK
2	JZ01-01	CORE	PEI	1	BLACK
1	JZ01-TZ	POGO PIN	BeCu	4	Au PLATING
No	Part Number	Name	Material	Q/ty	Note

PROJECTION		GENERAL TOLERANCES	±0.10	TITLE	CXPANY04-1.2 SOCKET
		R E V	A	CLASS	CXPANY04-1.2-CP03NT
DIMENSION:	mm	SCALE:	1:1	DRW. NO	01A
APP:		DATE:			
CHECK:		DATE:			
DEGK:	ENG03	DATE:	20170605		